

**LCD TV CONTROL BOARD
SPECIFICATION
MODEL: NTA92C(With Audio and
External Power Supply)**

Part Number: NT-09021207

AUTHOR: 黄金花

CHECKED BY: 卢文基

RECHECKED BY: 包小诗 李业科

APPROVED BY: 王锐

PUBLISHED DATE: 2009.02.12

TABLE OF CONTENT

PAGE	ITEM
1	TABLE OF CONTENT
1	REVISION HISTORY
2	GENERAL DESCRIPTION
2	FEATURES
2	FUNCTION LAYOUT
3	PCB DIMENSION
4	KEY BOARD SCHEMATICS
4	INTERFACE DEFINITION
5	CONFIGURATION & GENERAL PRECAUTIONS

REVISION HISTORY

VERSION	DATE	PAGE	DESCRIPTION	AUTHOR
1. 0	09.02.12	All	First issued	JinhuaHuang

1. GENERAL DESCRIPTION

NTA92C is a LCD monitor control board, the resolution is up to 1920X1200. It supports LED control board adopting single/dual LVDS connector. Its color reach 24bit potentially. H-Frequency signal range from 15 to 250 KHz, V-Frequency signal 45 to 80 Hz, and supports synchronize automatic detection and Dynamic Contrast Control, apply to Sync Separator for extracting Hsync and Vsync.

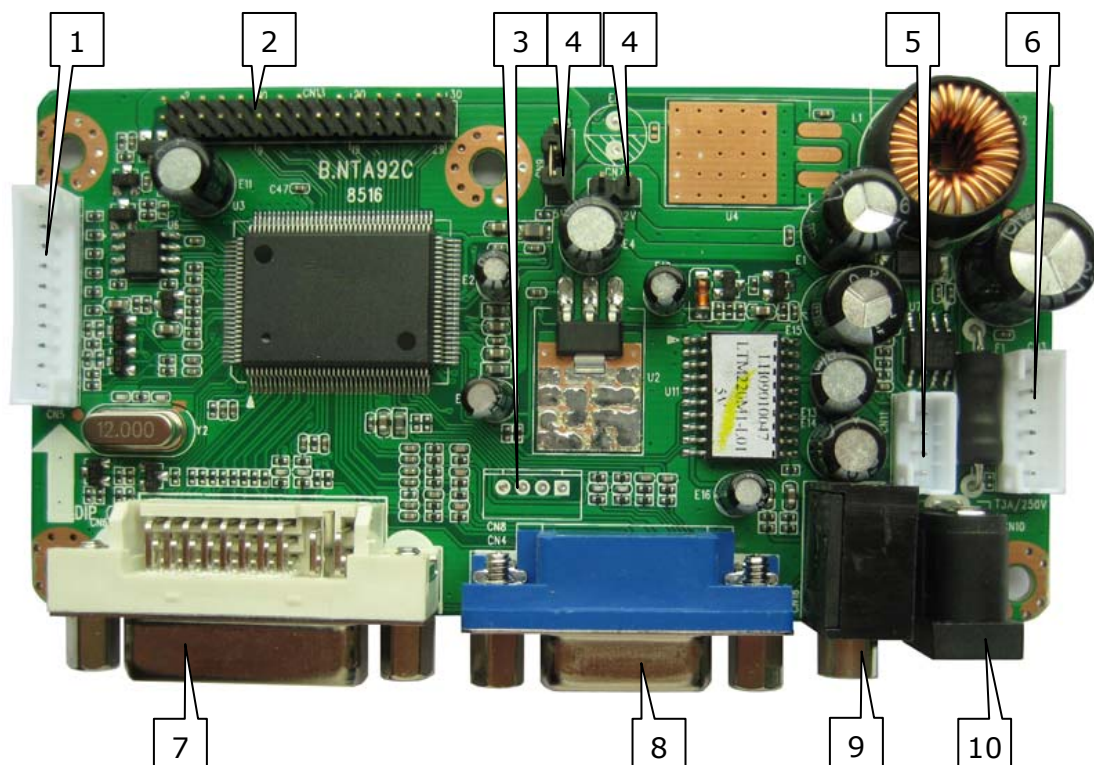
NTA92C support earphone input and external audio output, the volume can be controlled by the keys.

2. FEATURES

CHIPSET	NT68667(FG/HFG)/NT68667(UFG)	
PANEL	Interface	Dual LVDS
	Resolution	1680x1050(FG/HFG)/1920x1200(UFG)
POWER	Requirement	5V/12V
	To Panel	3.3V, 5V, 12V
	Management	Low power consumption mode, standby
	standby	<1W
OSD LANGUAGE	Simple Chinese、Traditional Chinese、English、French、German、Italian、Spanish、Portuguese、Japanese、Korean	
KEY FUNCTION	POWER, MENU, +/-, AUTO/EXIT	
AUDIO OUTPUT POWER	2x1W(8Ω)	

3. FUNCTION LAYOUT

TOP VIEW OF LCD CONTROL BOARD

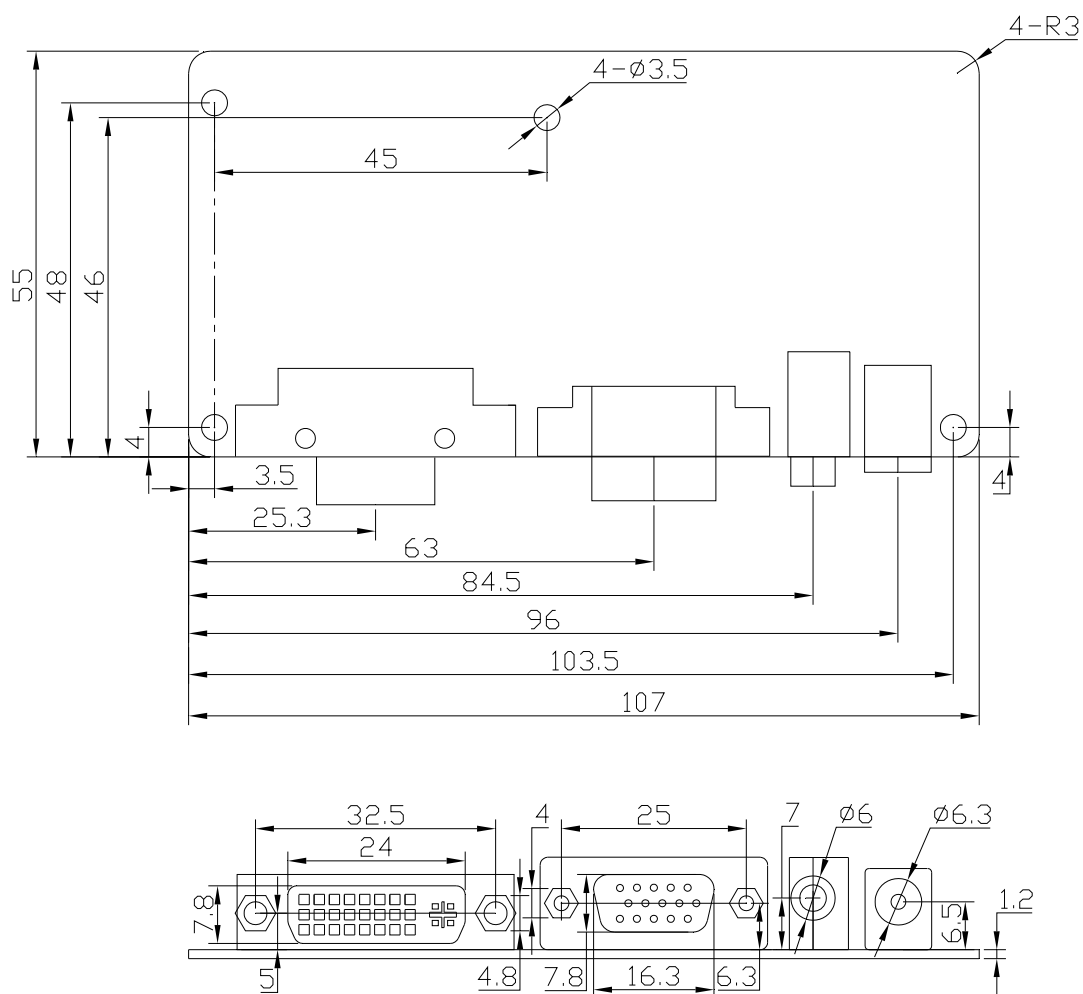


INTERFACE FUNCTION DESCRIPTION

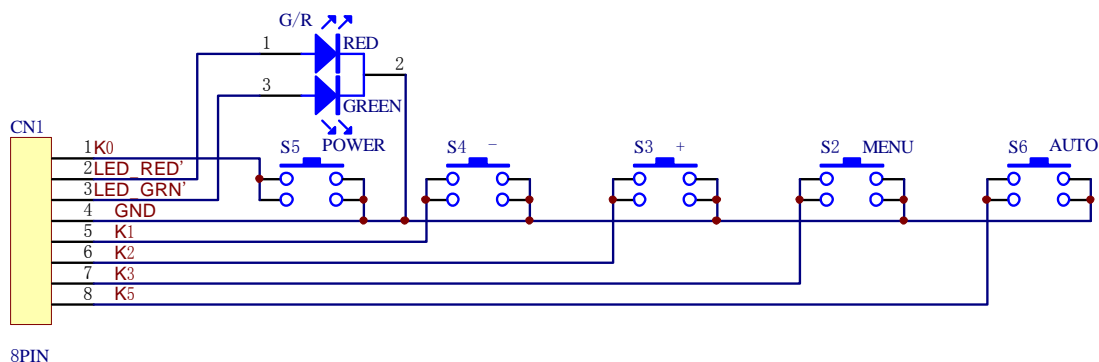
NO.	Description	NO.	Description
1(CN5)	Key board and LED Indicator Connector	6(CN3)	Inverter connector
2(CN13)	LVDS Panel Connector	7	DVI Input
3(CN8)	Debugging Interface	8	VGA Input
4(CN7/9)	Power Supply Jumper for Panel	9	Earphone Input
5(CN11)	Speaker Connector	10	Power Input

4. PCB DIMENSION

The height of NTA92C is 19.0mm.



5. KEY BOARD SCHEMATICS



6. INTERFACE DEFINITION

◆ CN3(6PIN/2.0): INVERTER CONNECTOR

NO.	SYMBOL	DESCRIPTION
1	12V	+12V DC Power Supply
2	12V	
3	BLON	Back-Light ON/OFF Control for Panel
4	ADJ	Brightness Adjustment for Panel
5	GND	Ground
6	GND	

◆ CN5(10PIN/2.0): KEY BOARD & LED INDICATOR CONNECTOR

NO.	SYMBOL	DESCRIPTION
1	K0	Key 0
2	RED	Red Indicator
3	GRN	Green Indicator
4	GND	Ground
5	K1	Key 1
6	K2	Key 2
7	K3	Key 3
8	K4	Key 4
9	K5	Key 5
10	K6	Key 6

◆ CN11 (4PIN/2.0): SPEAKER CONNECTOR

NO.	SYMBOL	DESCRIPTION
1	LO	Audio Left Channel Output
2	GND	Ground
3	GND	
4	RO	Audio Right Channel Output

◆ **CN13(2x 15PIN/2.0): LVDS PANEL CONNECTOR**

NO.	SYMBOL	DESCRIPTION
1	VSEL	Power Supply for panel
2	VSEL	
3	VSEL	
4	GND	Ground
5	GND	
6	GND	
7	RX00-	LVDS ODD 0- Signal
8	RX00+	LVDS ODD 0+ Signal
9	RX01-	LVDS ODD 1- Signal
10	RX01+	LVDS ODD 1+ Signal
11	RX02-	LVDS ODD 2- Signal
12	RX02+	LVDS ODD 2+ Signal
13	GND	Ground
14	GND	
15	RXOC-	LVDS ODD Clock- Signal
16	RXOC+	LVDS ODD Clock+ Signal
17	RX03-	LVDS ODD 3- Signal
18	RX03+	LVDS ODD 3+ Signal
19	RXE0-	LVDS EVEN 0- Signal
20	RXE0+	LVDS EVEN 0+ Signal
21	RXE1-	LVDS EVEN 1- Signal
22	RXE1+	LVDS EVEN 1+ Signal
23	RXE2-	LVDS EVEN 2- Signal
24	RXE2+	LVDS EVEN 2+ Signal
25	GND	Ground
26	GND	
27	RXEC-	LVDS EVEN Clock- Signal
28	RXEC+	LVDS EVEN Clock+ Signal
29	RXE3-	LVDS EVEN 3- Signal
30	RXE3+	LVDS EVEN 3+ Signal

7. CONFIGURATION & GENERAL PRECAUTIONS

- **Relative Humidity:** ≤80%
- **Storage Temperature:** -10~+60℃
- **Operation Temperature:** 0~+40℃
- **Keep away from static places and water**
- **Must not be pressed and distorted**
- **Do not disassemble the module.**
- **Protect it away from contacting with metal or other electric substance.**